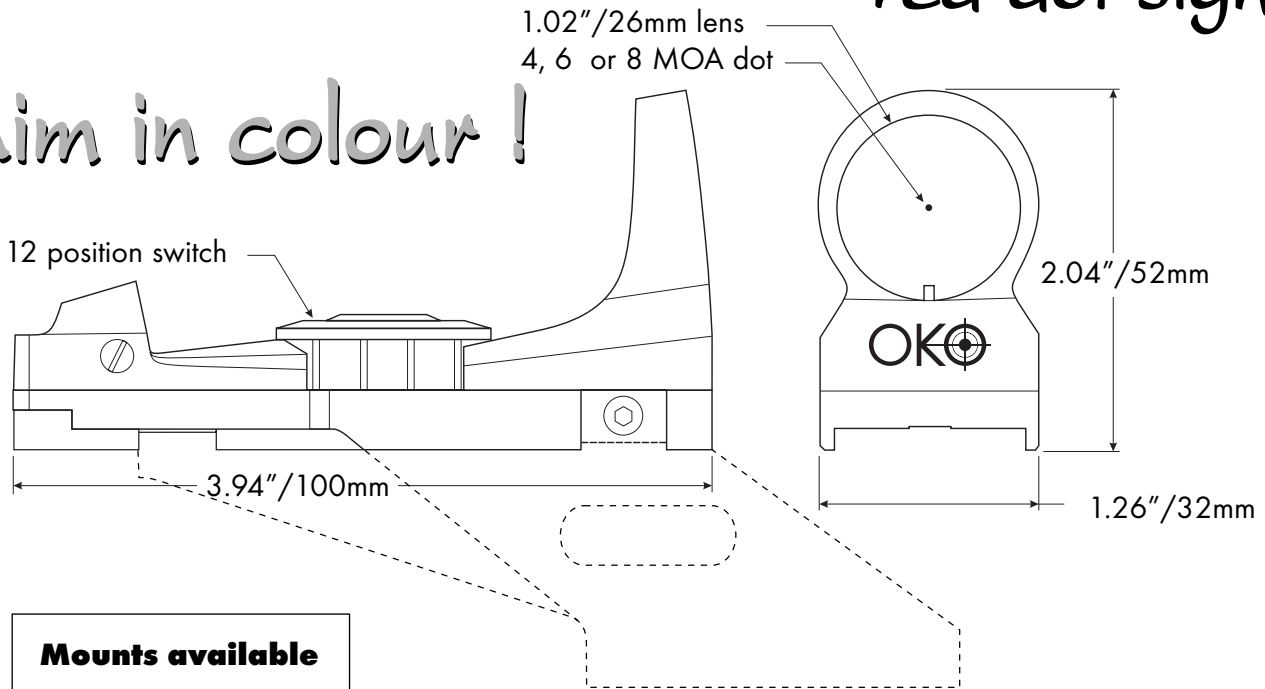




- the European Champions' red dot sight

Aim in colour!



Mounts available

CZ 75/85 and clones
CZ 97
Colt 1911 and clones

SIGHT SPECIFICATIONS

Length: 3.94"
Height: 2.04"
Width: 1.26"
Weight: 2.3 oz.
Objective: 1,02"
Dot size: 4, 6 or 8 M.O.A.
Battery: CR 2032
3 V lithium
Time of continuous operation is 150 to 1500 hours

The OK TARGET reflex sight was engineered to provide accurate rapid engagement of targets in all shooting conditions. The modular mounting system allows the sight to be mounted to a wide variety of firearms including: Pistols, rifles, shotguns, sub-machine guns and even air guns.

In the *HIGH SPEED-LOW DRAG* world of competition shooting, your equipment needs to give you every advantage possible, to work on demand, to do everything you need it to do and more!

We made the OK TARGET reflex red dot sight to do just that!

The OK TARGET features a low profile mounting, compact size, incredibly light 2.3 oz, durable shockproof and water resistant design and an easy to replace common 3V Lithium battery.

advantages over other dot sights

○ **The combination of colours have been especially selected to provide a convenient aiming together with original and bright design.**

○ A special patent pending design very effectively eliminates parasitic reflections on the lens of the sight ○ A very low weight - only 65 g (diameter of the lens is 26 mm)!

○ Integrated auxiliary open sights facilitate the location of the red dot thus allowing a faster target acquisition, mainly in non-standard shooting positions ○ A very easy and quick battery replacement ○ The power source of the sight is the most common type of a battery (CR 2032), which enables 150 - 1500 hours of operation at common operating conditions without a change in the brightness of the aiming dot ○ Water resistant and shock resistant construction enables the attachment of this sight even to the guns with an extreme back kick

○ OKO parrot red dot sight can be used in IPSC MODIFIED - it fits into the box! ○